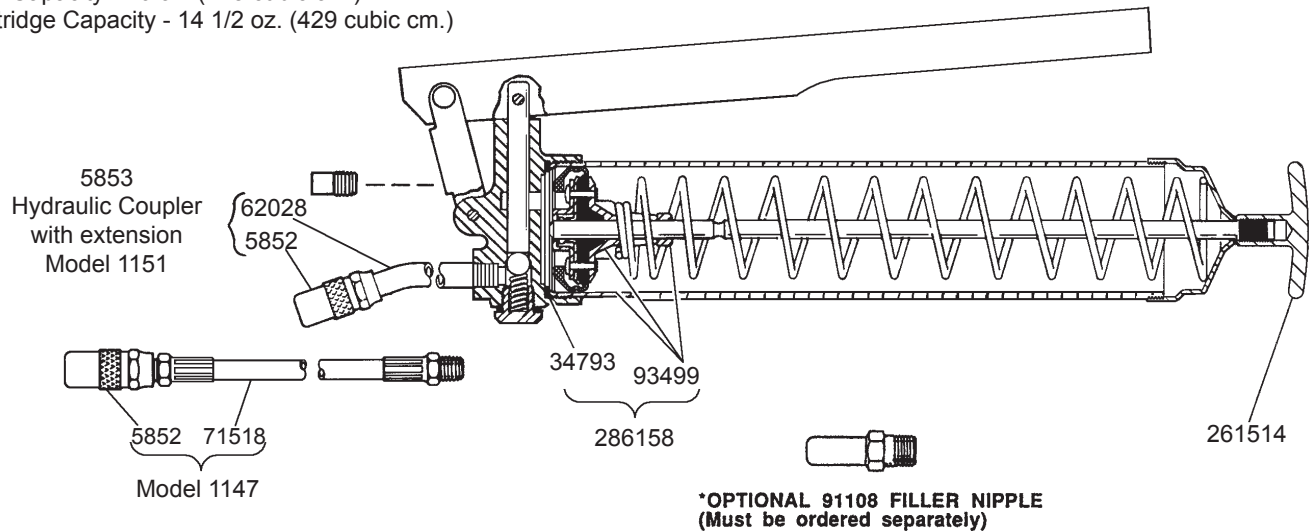


Bulk Capacity - 16 oz. (473 cubic cm.)
Cartridge Capacity - 14 1/2 oz. (429 cubic cm.)



SERVICE PARTS

Part	Description	Part	Description
5852	Hydraulic Coupler	93499©	Follower Assembly
62028	Nozzle Extension	261514	Follower Handle
71518	Hose	286158	Follower Kit with Packing

⚠ WARNING

Extreme pressure may cause nozzle extension or whip hose to burst. Use only LINCOLN APPROVED hoses and follow whip hose instructions and warnings.

OPERATING INSTRUCTIONS

Fill the lubricant container. Refer to reverse page for instructions.

Wipe fittings clean before lubricating. Push coupler onto fitting at slight angle and then center coupler on the fitting. Operate lever gun handle to lubricate taking care not to damage seals by excessive pressure or lubricant volume. After lubricating turn coupler at a slight angle to release grip of the coupler jaws.

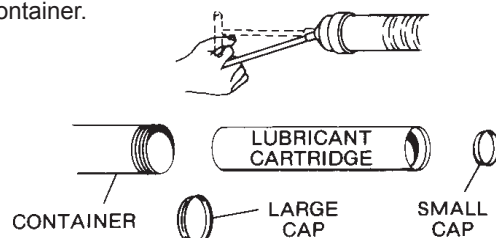
TO INSTALL A LUBRICANT CARTRIDGE

- 1) Loosen the pump head 2-3 rotations.
- 2) Pull back on the follower handle until the follower rod is fully extended, approximately 8 inches; pull it sideways to latch the rod groove into the keyhole slot in the container cap.
- 3) Remove the pump head from container tube.
- 4) If there is an empty lubricant cartridge, carefully release the follower handle to eject it from the container tube.
- 5) If an empty lubricant cartridge was expelled, pull back on the follower handle again and re-lock the rod groove into the keyhole slot in the container cap.

⚠ WARNING

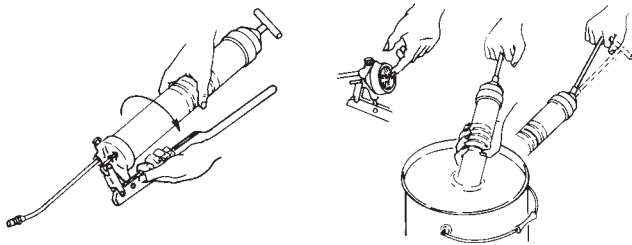
Grease gun can develop high pressure up to 7,000 P.S.I. (483 BAR). Use safety glasses and gloves for protection during operation. Keep hands clear of the extension during operation of the grease gun.

- 6) Remove the plastic cap from the end of the new lubricant cartridge and insert the open end of the cartridge into the container tube.
- 7) Remove the metal pull-tab from the lubricant cartridge.
- 8) Thread the container tube assembly onto the head assembly at least two full turns.
- 9) Pull the follower handle to release the follower rod from the container cap.
- 10) Rotate the follower handle to engage the rod onto the follower assembly. Slightly push the follower handle forward to expel air between the thread interface of head and tube.
- 11) Finish threading the tube assembly into the pump head until tight.
- 12) Disengage the follower rod from the follower by rotating the follower handle and push the follower rod into the container.



TO FILL LEVER GUN FROM BULK LUBRICANT CONTAINER

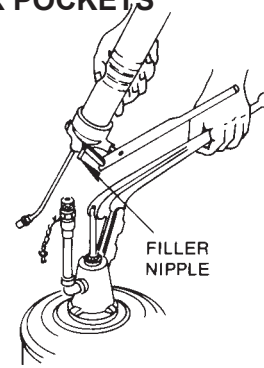
- 1) Remove head and plunger assembly from container tube.
- 2) Pack lubricant into cavity of the head and plunger assembly.
- 3) Insert the open end of the container tube into lubricant. Slowly pull the follower handle back while pushing the container tube deeper into the lubricant to prevent air pockets from being pulled into the container tube.
- 4) When the follower rod is fully extended pull it sideways to latch the rod groove into the keyhole slot in the container cap.
- 5) Loosely assemble the head and plunger assembly to the filled container tube. Release the follower rod from the container cap and disengage the follower rod from the follower by rotating the follower handle. Push the follower rod into the container. Slowly unscrew the container tube from the head and plunger assembly until lubricant oozes from the interface. Tighten container tube into the head and plunger assembly.



TO FILL LEVER GUN WITH A FILLER PUMP

Engage the follower rod with the follower by rotating the follower handle. Insert the lever gun filler nipple into the filler pump socket and extend the lever gun handle away from the container tube. Operate the filler pump to fill the lever gun container. When the follower rod groove is exposed the container is filled (follower rod will be extended approximately 8 inches). Disengage the follower rod from the follower by rotating the follower handle. Push the follower rod into the container.

TO EXPEL AIR POCKETS



- 1) Unscrew the container tube 1 1/2 turns from the head and plunger assembly.
- 2) Withdraw the follower rod from the container cap and engage it with the follower by rotating the follower handle. Exert force on the follower handle until lubricant oozes from the tube and head interface.
- 3) Tighten container tube into the head and plunger assembly. Disengage the follower rod from the follower by rotating the follower handle. Push the follower rod into the container.

WARNING

Air pockets in the cartridge lubricant will cause the lever gun to lose its prime.

Americas:
One Lincoln Way
St. Louis, MO 63120-1578
USA
Phone +1.314.679.4200
Fax +1.800.424.5359

Printed in China and India

Web site:
www.lincolnindustrial.com